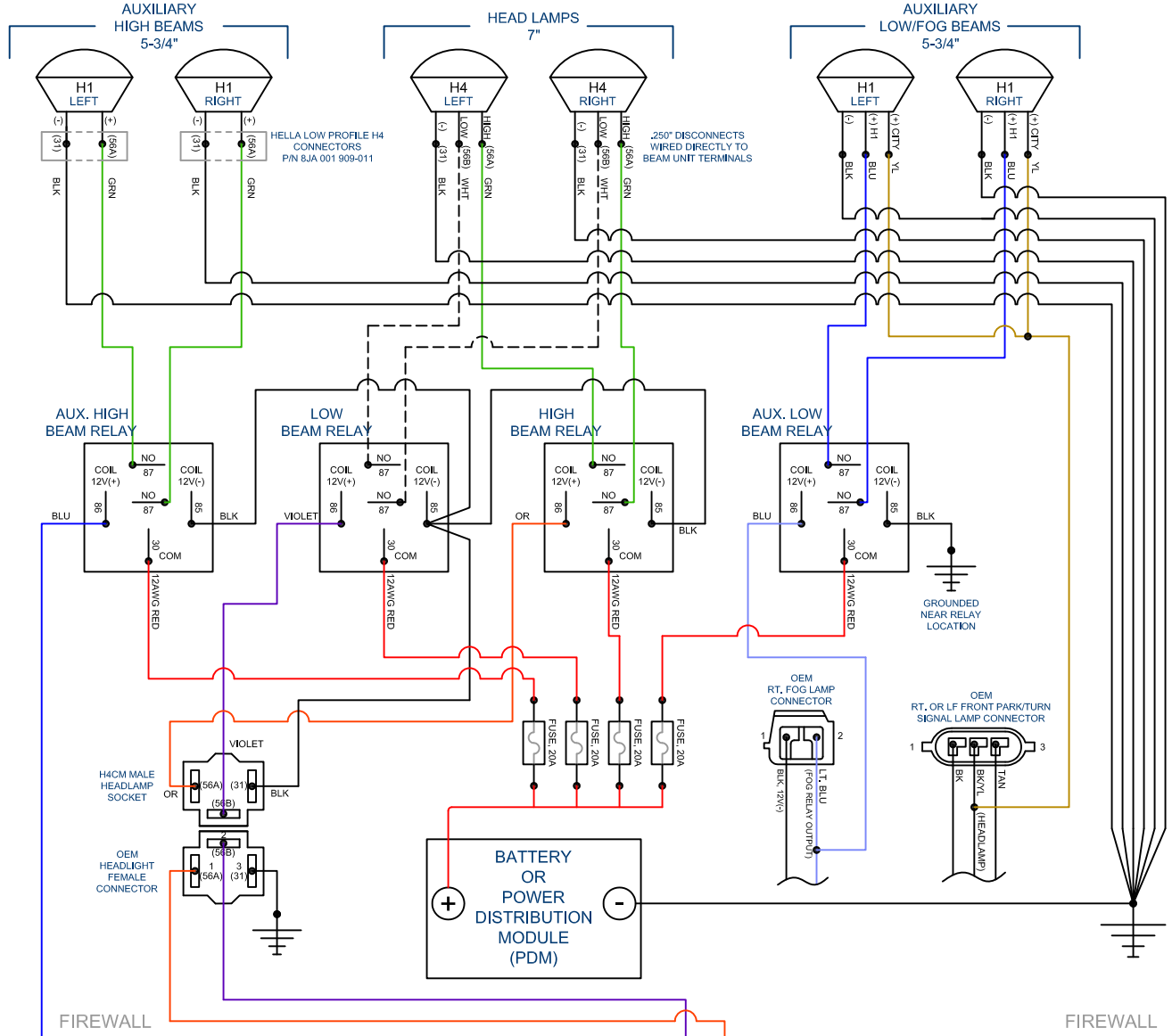


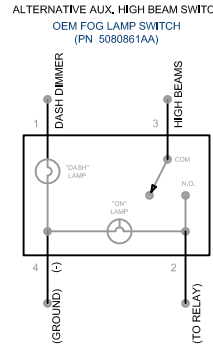
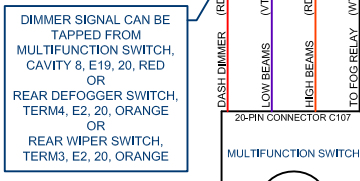
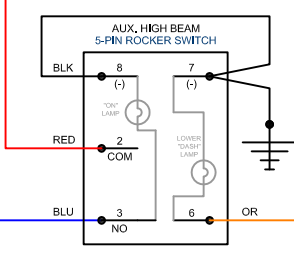
VALEO (CIBIE) E-CODE H1 HIGH BEAM UNIT (082369)
 FLOSSER 55W +50% H1 BULB (PN 3021890)
 GROTE LAMP HOUSING, CHROME (PN 64021)

VALEO (CIBIE) E-CODE H4 BEAM UNIT (082440)
 OSRAM RALLYE 70/65W +50% H4 BULB (PN 64205)

HELLA BI-FOCUS COMMERCIAL DUTY E-CODE H1 HOUSING (PN 1B3 128 267-071)
 FLOSSER 55W +50% H1 BULB (PN 3021890)
 FLOSSER T4W HALOGEN CITY LIGHT BULB, 4W (PN 4005)
 GROTE LAMP HOUSING, CHROME (PN 64231)



FIREWALL



WIRES
 BATTERY TO RELAYS: 12 AWG RED
 LAMPS TO BATTERY: 12 AWG BLACK
 RELAY N.O. TO LAMPS: 12 AWG

RELAYS
 12 VDC, 30 A, DUAL NO. 87 PINS
 FLOSSER P/N 2252

RELAY SOCKETS
 FLOSSER P/N 2222
 OR
 HELLA P/N 3526-00 (H84526001)

IN-LINE FUSE HOLDERS
 FLOSSER P/N 214820
 W/ 20 AMP FUSES

NOTE:

- VALID FOR 2001 JEEP WRANGLER TJ WITH FACTORY INSTALLED FOG LAMP HARNESS
- AUXILIARY LOW BEAM/FOG LAMP CIRCUIT IS CONTROLLED BY OEM FOG SWITCH ON MULTIFUNCTION HARNESS
- AUXILIARY LOW BEAM/FOG LAMPS WILL FUNCTION WITH OR WITHOUT LOW BEAMS, BUT WILL NOT FUNCTION WHEN HIGH BEAMS ARE ACTIVATED VIA MULTIFUNCTION SWITCH.
- AUXILIARY HIGH BEAMS WILL ONLY FUNCTION WHEN 5-PIN ROCKER SWITCH IS "ON" AND HIGH BEAMS ARE ACTIVATED VIA THE MULTIFUNCTION SWITCH.
- IN ACCORDANCE WITH MANY STATE LAWS, ONLY FOUR LAMPS CAN BE ACTIVATED SIMULTANEOUSLY.